

Mô Tả/Descriptions

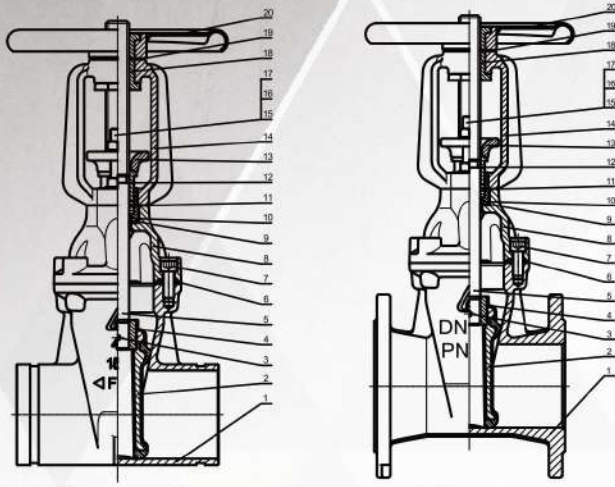
Van Cổng với thiết kế tiên tiến, đóng mở nhẹ nhàng. Lá van hình nêm bọc cao su phù hợp với tiêu chuẩn nước sạch. Vận hành nhẹ, chống kẹt, độ bền cao.

Gate valve is a kind of rubber seated gate valves with fixed nuts on the wedge. The Valve is light operating, no clogging and no corrosion, good resilient memory & long life service.

Mã Sản Phẩm Product Code	FRHG - FRHX - FNCX	
Kích Thước Size	DN50 - DN300	
Tiêu Chuẩn Thiết Kế Design Standard	AWWA C509, C606, C515	
	FM/UL ISO 7259	
Tiêu Chuẩn Khoảng Cách 2 Mặt Bích Face To Face Standard	AWWA C509, C606, C515	
	FM/UL ASME B16.10	
Kiểu Kết Nối Connection End	MẶT BÍCH - NỐI NGÀM FLANGED - GROOVED	
Tiêu Chuẩn Kết Nối Và Áp Suất Làm Việc Connection Standard And Pressure Rating	BS 4504	PN10, PN16, PN20
	AWWA C606	125LB
	ASME B16.42	150LB
Sơn Phủ Paint Coating	Loại Sơn Type	EPOXY RESIN POWDER
	Tiêu Chuẩn Standard	FM1120/1130
	Màu Sắc Colour	ĐỎ - RED
	Độ Dày Thickness	250~300µm
Nhiệt Độ Làm Việc Working Temp	-10 ~ 80 °C	
Môi Trường Làm Việc Flow Media	HỆ THỐNG PCCC FIRE FIGHTING SYSTEMS	

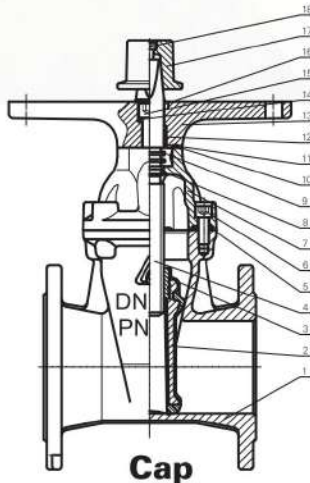


DETAIL DRAWING & PART LIST



Grooved

Flange



Cap

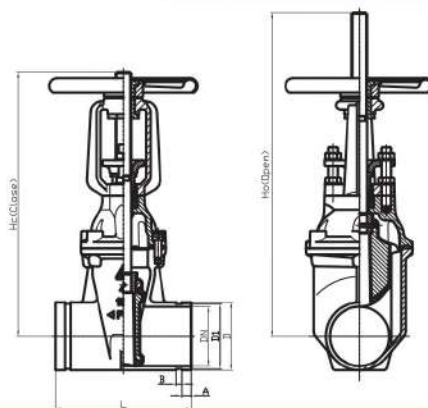
UL/FM OS&Y Gate Valve Grooved / Flange Part list:

No	Part Name	Material	Material Code
1	Body	Ductile Iron	ASTM A536
2	Disc	Ductile Iron + Rubber	ASTM A536+EPDM
3	Pin	Stainless Steel	AISI 304
4	Wedge Nut	Bronze	ASTM C51900
5	Stem	Stainless Steel	AISI 410
6	Bonnet Gasket	Rubber	NBR
7	Bolts	Carbon Steel	Commercial
8	Bonnet	Ductile Iron	ASTM A536
9	O-Ring	Rubber	NBR
10	O-Ring	Rubber	NBR
11	O-Ring	Rubber	NBR
12	Press Bushing	Carbon Steel Zincification	Carbon Steel
13	Gland	Ductile Iron	ASTM A536
14	Yoke	Ductile Iron	ASTM A536
15	Bolts	Stainless Steel	AISI 410
16	Nuts	Stainless Steel	AISI 304
17	Washer	Stainless Steel	AISI 304
18	Stem Nut	Couple Bronze	ASTM C83600
19	Whaser	Brass	ASTM C34500
20	Handwheel	Carbon Steel/DI	ASTM 1045/536

UL/FM NRS Gate Valve Cap Part list:

No	Part Name	Material	Material Code
1	Body	Ductile Iron	ASTM A536
2	Wedge	Ductile Iron + Rubber	ASTM A536+EPDM
3	Wedge Nut	Bronze	ASTM C51900
4	Stem	Stainless Steel	AISI 410
5	Bonnet Gasket	Rubber	NBR
6	Bolts	Carbon Steel	Commercial
7	Bonnet	Ductile Iron	ASTM A536
8	O-Ring	Rubber	NBR
9	Thrust Bearing	Bronze	ASTM C83600
10	O-Ring	Rubber	NBR
11	O-Ring	Rubber	NBR
12	Bushing	Nylon	PA
13	Flange	Ductile Iron	ASTM A536
14	Washer	Carbon Steel	Commercial
15	Bolts	Carbon Steel	Commercial
16	Wiper Ring	Rubber	NBR
17	Cap	Ductile Iron	ASTM A536
18	Bolt	Carbon Steel	Commercial

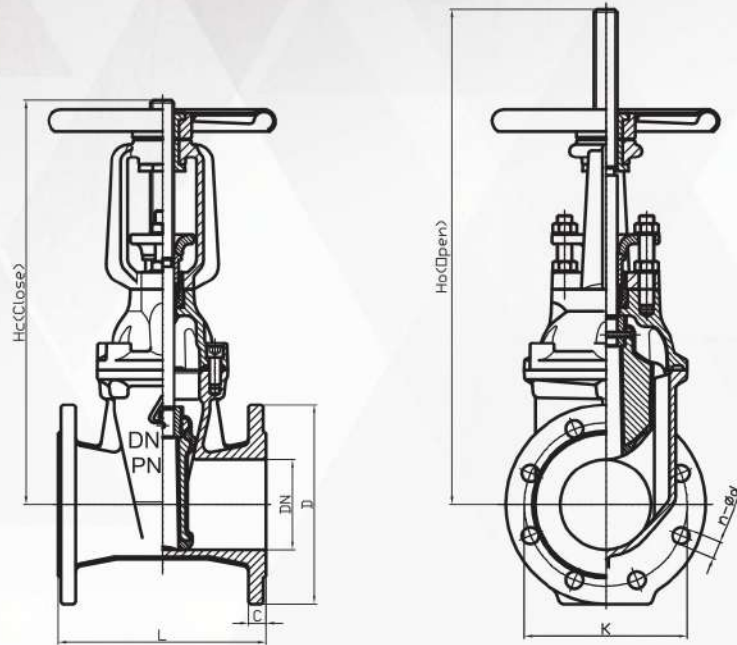
FRHG: DIMENSION



Unit: mm

DN	Model/No.	L	D	D1	A	B	Hc	Ho
50 (2")	FRHG-0050	178	60.3	57.1	15.9	7.9	309	376
80 (3")	FRHG-0080	203	88.9	84.9	15.9	7.9	378	463
100 (4")	FRHG-0100	229	114.3	110.1	15.9	9.5	445	548
150 (6")	FRHG-0150	267	168.3	164	15.9	9.5	608	763
200 (8")	FRHG-0200	292	219.1	214.4	19	11.1	759	964
250 (10")	FRHG-0250	330	273.1	268.3	19	12.7	898	1028
300 (12")	FRHG-0300	356	323.9	318.3	19	12.7	1025	1330

FRHX: DIMENSION



UL/FM Dimension: PN10/16

Unit: mm

DN	Model/No.	L	D	K		n-Ød		C	Hc	Ho	R
				PN10	PN16	PN10	PN16				
50 (2")	FRHX-0050	178	165	125		4-Ø19		19	306	362	150
80 (3")	FRHX-0080	203	200	160		8-Ø19		19	386	467	200
100 (4")	FRHX-0100	229	220	180		8-Ø19		19	445	546	250
150 (6")	FRHX-0150	267	285	240		8-Ø23		19	608	759	300
200 (8")	FRHX-0200	292	340	295		8-Ø23	12-Ø23	20	745	946	360
250 (10")	FRHX-0250	330	405	350	355	12-Ø23	12-Ø28	22	902	1153	360
300 (12")	FRHX-0300	356	460	400	410	12-Ø23	12-Ø28	24.5	1034	1335	360

UL/FM Dimension: ANSI 150 LB WP-232PSI/WP-290PSI ONLY FOR 3", 4", 6", 8"

Unit: mm

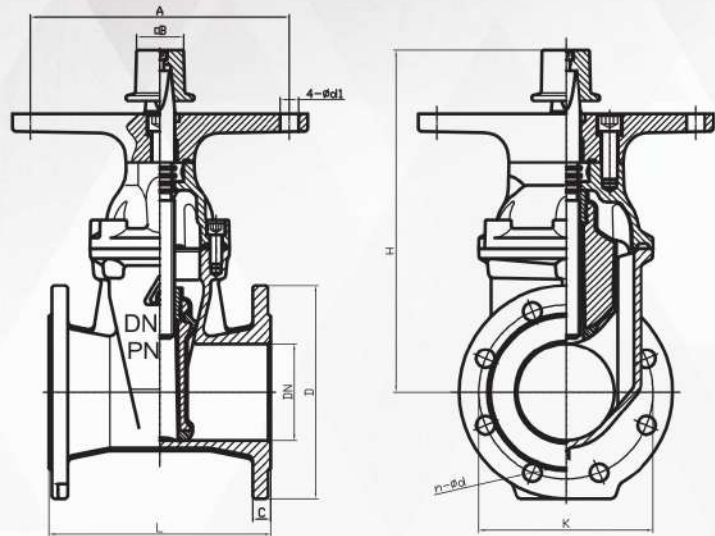
DN	Model/No.	L	D	K	n-Ød	C	Hc	Ho	R
50 (2")	FRHX-0050-A1	178	152	120.7	4-Ø19.1	15.7	309	376	150
80 (3")	FRHX-0080-A1 (A2)	203	191	152.4	4-Ø19.1	19	378	463	200
100 (4")	FRHX-0100-A1 (A2)	229	229	190.5	8-Ø19.1	23.9	445	548	250
150 (6")	FRHX-0150-A1 (A2)	267	279	241.3	8-Ø22.4	25.4	608	763	300
200 (8")	FRHX-0200-A1 (A2)	292	343	298.5	8-Ø22.4	28.5	759	964	360
250 (10")	FRHX-0250-A1	330	406	362	12-Ø25.4	30.2	898	1028	360
300 (12")	FRHX-0300-A1	356	483	431.8	12-Ø25.4	31.8	1025	1330	360

UL/FM Dimension: PN20

Unit: mm

DN	Model/No.	L	D	K	n-Ød	C	Hc	Ho	R
80 (3")	FRHX-0080-20	203	191	152.4	4-Ø19.1	19	378	463	200
100 (4")	FRHX-0100-20	229	229	190.5	8-Ø19.1	23.9	445	548	250
150 (6")	FRHX-0150-20	267	279	241.3	8-Ø22.4	25.4	608	763	300
200 (8")	FRHX-0200-20	292	343	298.5	8-Ø22.4	28.5	759	964	360

FNCX: DIMENSION



UL/FM Dimension: PN10/16

Unit: mm

DN	Model/No.	L	H	D	K		n-Ød		C	A	B	d1
					PN10	PN16	PN10	PN16				
80 (3")	FNCX-0080-10(16)	203	316	200	160		8-Ø19		19	267	49	19
100 (4")	FNCX-0100-10(16)	229	359	220	180		8-Ø19		19	267	49	19
150 (6")	FNCX-0150-10(16)	267	462	285	240		8-Ø23		19	267	49	19
200 (8")	FNCX-0200-10(16)	292	548	340	295		8-Ø23	12-Ø23	20	267	49	19
250 (10")	FNCX-0250-10(16)	330	652	405	350	355	12-Ø23	12-Ø28	22	267	49	19
300 (12")	FNCX-0300-10(16)	356	728	460	400	410	12-Ø23	12-Ø28	24.5	267	49	19

UL/FM Dimension: ANSI 150LB WB-232PSI

Unit: mm

DN	Model/No.	L	H	D	K	n-Ød	C	A	B	d1
80 (3")	FNCX-0080-A1	203	316	191	152.4	4-Ø19	19	267	49	19
100 (4")	FNCX-0100-A1	229	359	229	190.5	8-Ø19	23.9	267	49	19
150 (6")	FNCX-0150-A1	267	462	279	241.3	8-Ø22.4	25.4	267	49	19
200 (8")	FNCX-0200-A1	292	548	343	298.5	8-Ø22.4	28.5	267	49	19
250 (10")	FNCX-0250-A1	330	652	406	362	12-Ø25.4	30.2	267	49	19
300 (12")	FNCX-0300-A1	356	728	483	431.8	12-Ø25.4	31.8	267	49	19

ORDERING INFORMATION

F N C X - 0100 - A1 - D2 R

F : UL/FM
Loại - Model:
R: Ty Nổi - Rising stem
N: Ty Chìm - Non-Rising stem
Vận Hành - Operator:
H: Tay Quay - Handwheel
C: Nắp Chụp - Cap
Kết Nối - End Connection:
X: Mặt Bích - Flange
G: Rãnh Ngàm - Grooved

D2: Gang cầu - Ductile Iron
R: Màu đỏ - Red

Mặt bích và áp lực:
Flange & Pressure

10: PN10
16: PN16
20: PN20
25: PN25
A1: ANSI 150-LB, WP232PSI
A2: ANSI 150-LB, WP290PSI
Valve Size:
0100 : 100 mm
0200 : 200 mm